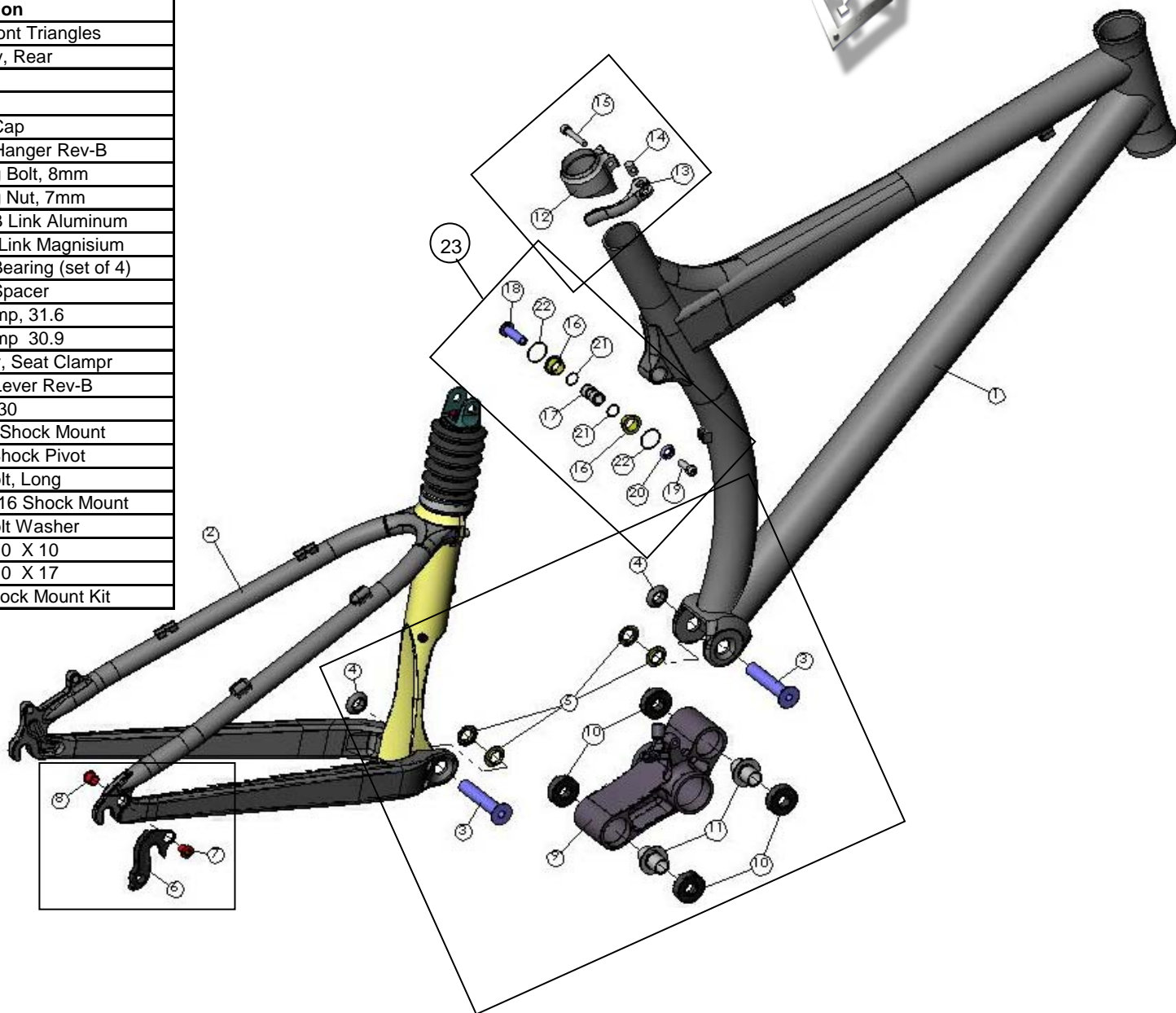


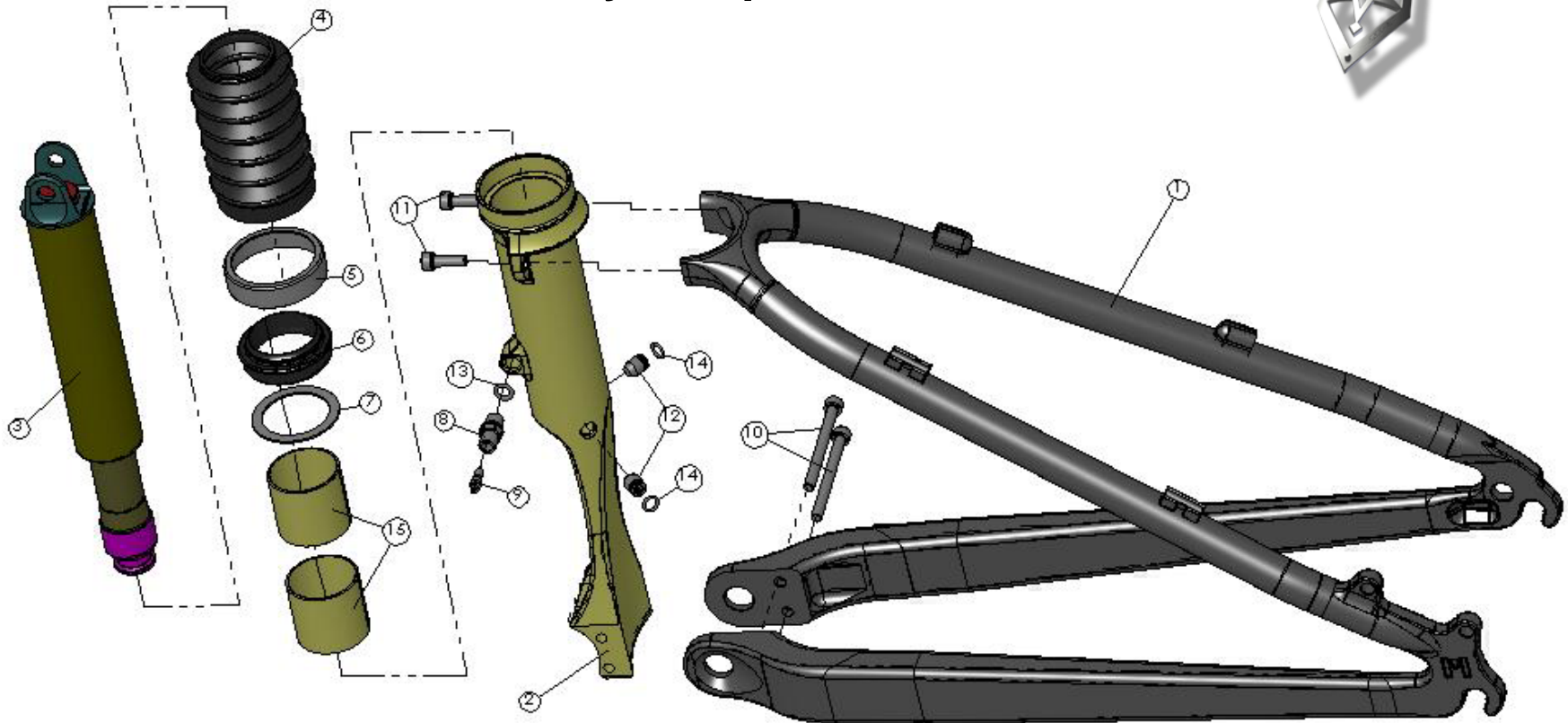
# ML 7 Frame Assembly – Exploded View / Parts List



Item	Qty	Part #	Description
1	1	90205	ML7.3 Front Triangles
2	1	99083	ML7 Assy, Rear
3	2	90051	Link Bolt
4	2	90056	Link Nut
5	4	90052	Bearing Cap
6	1	99058	Derailer Hanger Rev-B
7	1	Inc w/6	Chainring Bolt, 8mm
8	1	Inc w/6	Chainring Nut, 7mm
9	1	90076	ML7/8 BB Link Aluminum
9	1	90075	ML 7 BB Link Magnisium
10	4	90074	BB Link Bearing (set of 4)
11	2	90038	Bearing Spacer
12	1	90082	Seat Clamp, 31.6
12	1	90206	Seat Clamp 30.9
13	1	90207	QR Lever, Seat Clamp
14	1	Inc w/13	Pin, QR Lever Rev-B
15	1	Inc w/13	Bolt, 5 X 30
16	2	90072	Bushing, Shock Mount
17	1	90061	Sleeve, Shock Pivot
18	1	90054	Shock Bolt, Long
19	1	90053	Bolt, 6 X 16 Shock Mount
20	1	90040	Shock Bolt Washer
21	2	90208	O-Ring 1.0 X 10
22	2	90005	O-Ring 1.0 X 17
23	1	99063	Upper Shock Mount Kit



# ML 7 Frame Rear Assembly – Exploded View / Parts List



Item	Qty	Part #	Description
1	1	99083	ML7 Rear Triangle
2	1	90197	ML7.2 Shock Body
2	1	90199	MI7.3 Shock Body
3	1	30006	ML7.2 Assy, Damper
4	1	90198	Shock Boot
5	1	90200	Lock Ring, Seal
6	1	90201	Wiper, 32mm
7	1	90202	Washer, Seal

Item	Qty	Part #	Description
8	1	90154	Schrader Valve
9	1	90147	Schrader Valve Core
10	2	90054	Bolt, Lower Shock Mount 5 X 60
11	2	90053	Bolt, Upper Shock Mount 5 X 16
12	2	90203	Set Screw
13	1	90204	O-Ring 1.8 X 6
14	2	90057	O-Ring 1.3 X 6
15	2	90060	Bushing, Main