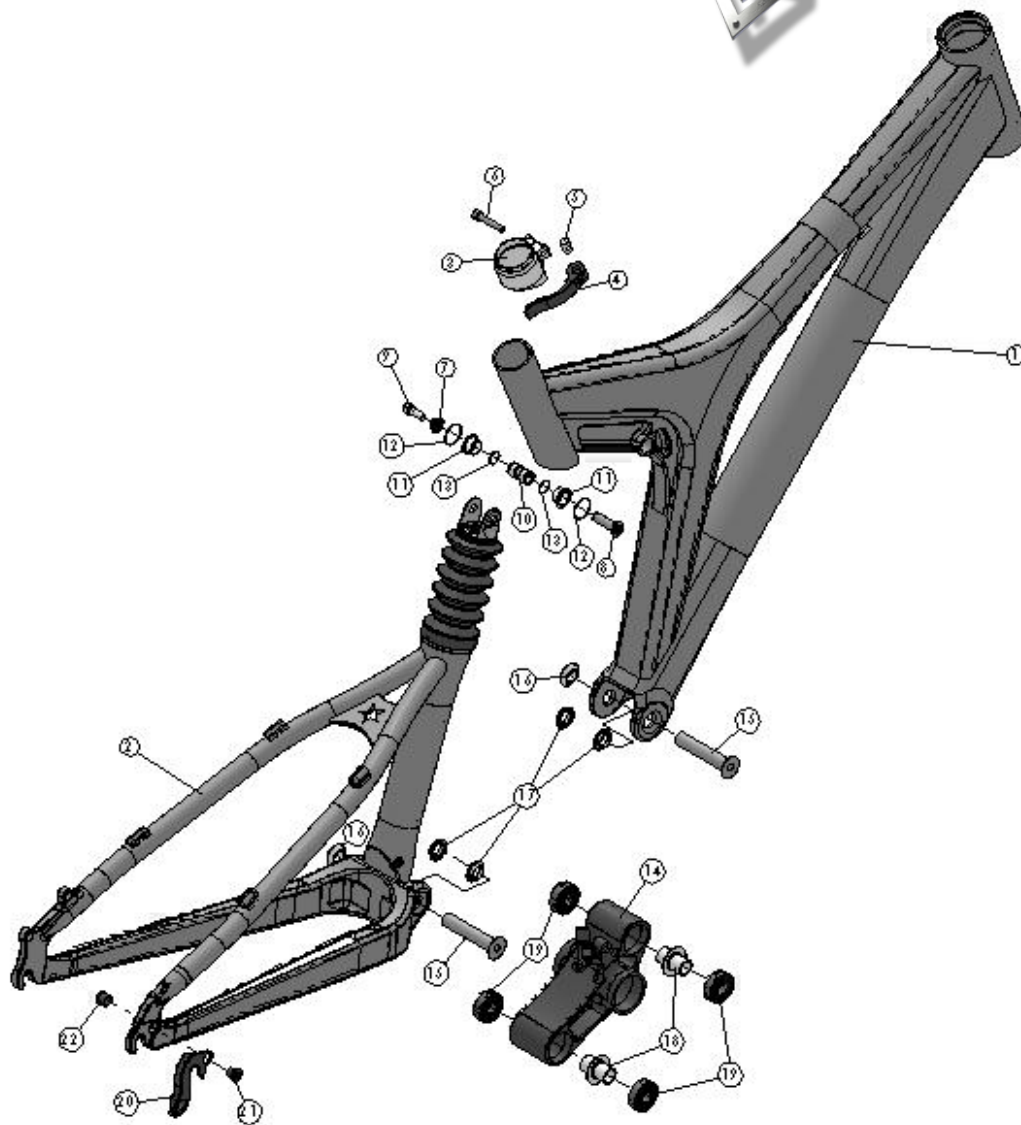


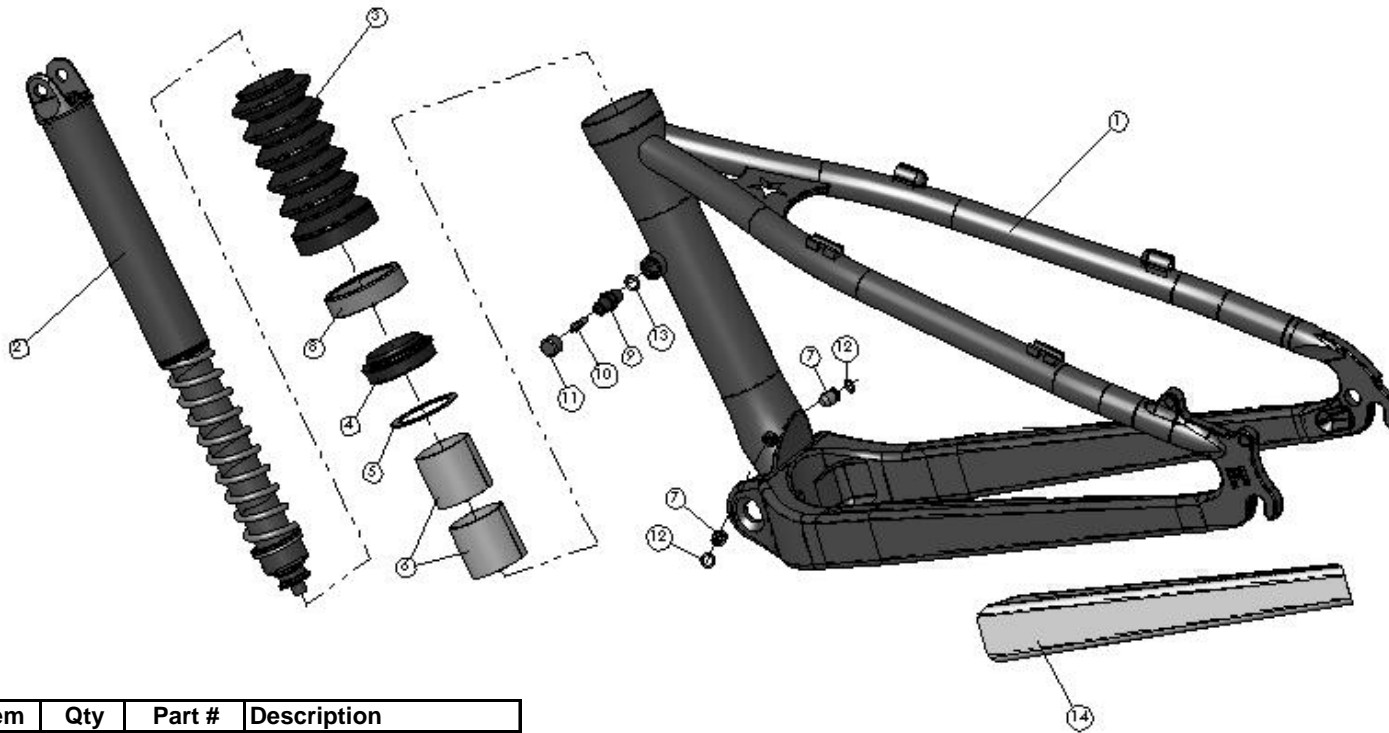
ML 8 Frame Assembly – Exploded View / Parts List



Item	Qty	Part #	Description
1	1	99085	ML8 Front Triangle
2	1	99087	ML8 Rear Assy
3	1	90206	Seat Clamp, 30.9
4	1	90207	QR Lever, Seat Clamp
5	1	Inc w/4	Pin, QR Lever
6	1	Inc w/4	Bolt, 5 X 30
7	1	90040	Shock Bolt Washer
8	1	90054	Shock Bolt, Long
9	1	90053	Bolt, 6 X 16 Shock Mount
10	1	90061	Sleeve, Shock Pivot
11	2	90072	Bushing, Shock Mount
12	2	90005	O-Ring 1.0 X 17
13	2	90208	O-Ring 1.0 X 10
14	1	90076	ML8 BB Link
15	2	90051	Link Bolt Rev
16	2	90056	Link Nut Rev
17	4	90052	Bearing Cap
18	2	90038	Bearing Spacer
19	4	90074	BB Link Bearing (4)
20	1	99058	Derailer Hanger
21	1	Inc w/20	Chainring Bolt, 8mm
22	1	Inc w/20	Chainring Nut, 7mm



ML 8 Frame Rear Assembly – Exploded View / Parts List



Item	Qty	Part #	Description
1	1	99087	ML8 Rear Triangle
2	1	30007	ML8 Shock Damper
3	1	90198	Shock Boot
4	1	90201	DUC32 Wiper
5	1	90202	Washer, Seal
6	2	90060	Bushing, Main
7	2	90203	Set Screw
8	1	90200	Lock Ring, Seal
9	1	90154	Schrader Valve
10	1	90147	Schrader Valve Core
11	1	90148	Schrader Valve Cap
12	2	90057	O-Ring 1.3 X 6
13	1	90204	O-Ring 1.8 X 6
14	1	90093	Chainstay Protector